



dml

Drawn Metal Group

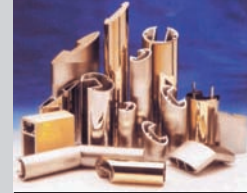
Handrail Profiles

Handrail Profiles

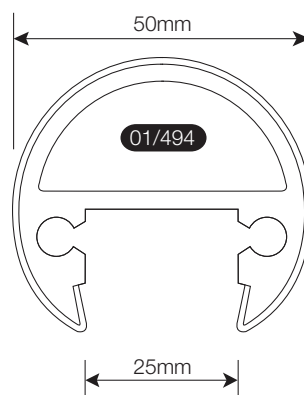
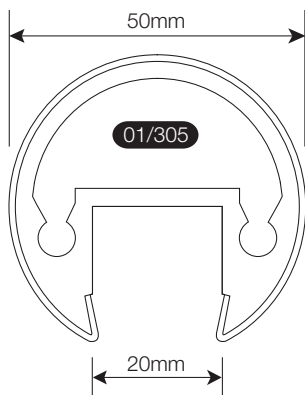
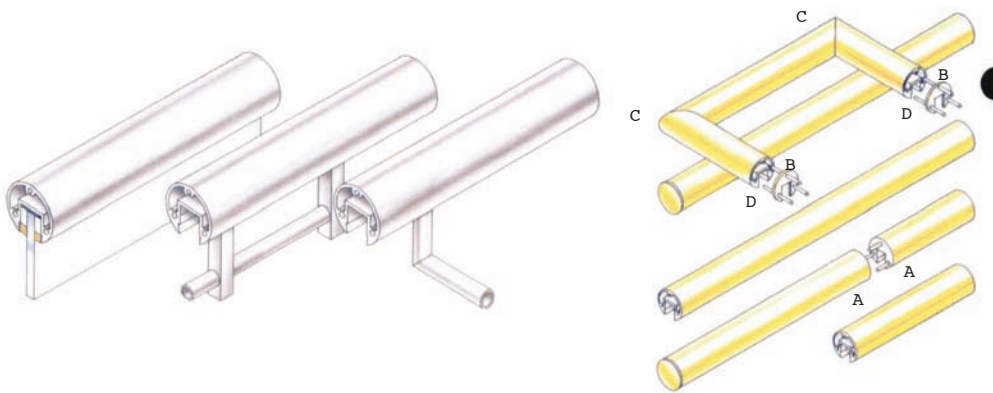
DML offers an unparalleled choice of over 6500 section profiles in a range of durable metals drawn onto either a hardwood or aluminium core.

Available in bright polished or satin finish, they can be supplied as stock lengths, trims or fully fabricated frames.

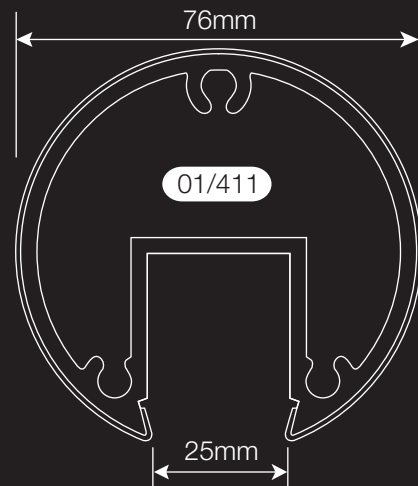
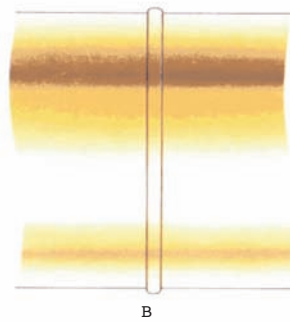
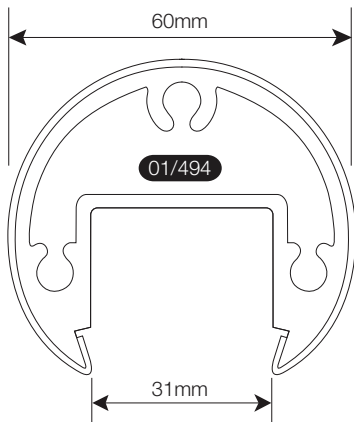
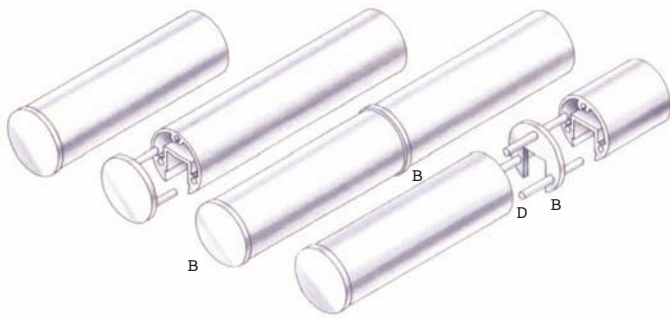
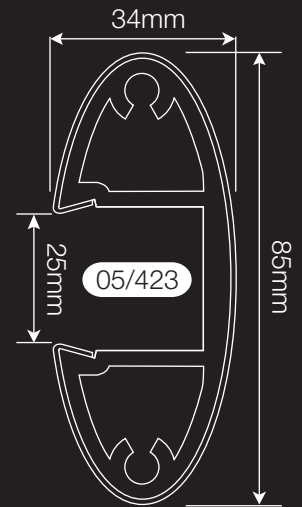
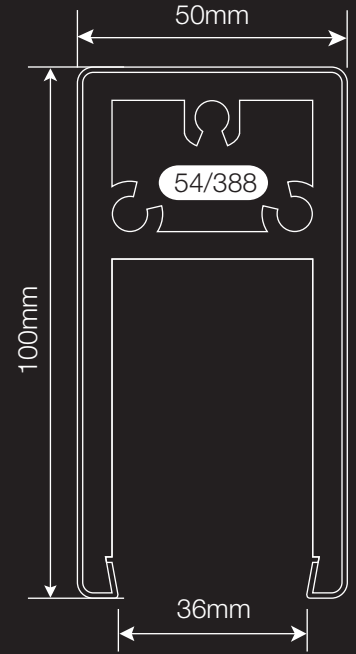
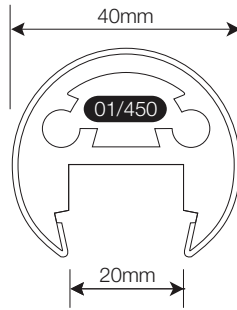
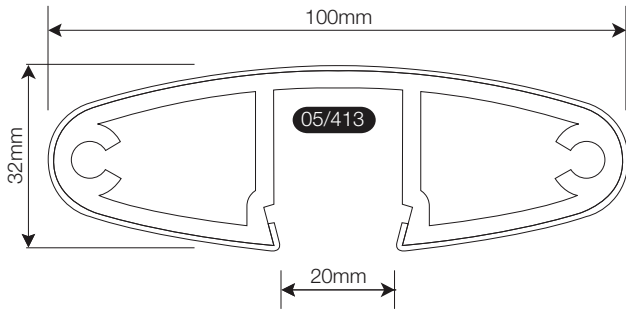
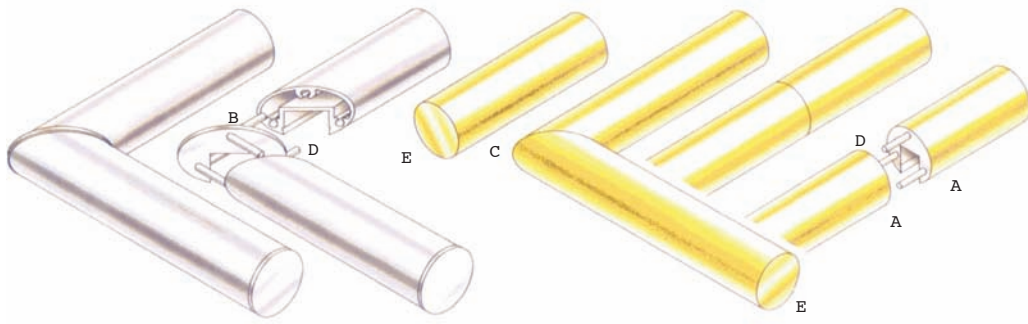
- Available in stainless steel, brass and bronze
- New profiles can be manufactured to customers design
- Profiles with a hardwood core manufactured up to 5 metres long
- Profiles with an aluminium core manufactured up to 6 metres long
- We can supply stock lengths for customer fabrication
- We can fully fabricate to customers drawings, patterns, template etc
- Profiles can be strengthened by using inner channel or top hat sections
- Profile jointing is best done by plating the two ends (A) and using internal dowels (D)
- Profile plates (B) can be used to fit each profile shape, with internal dowels (D)
- Corners to any angle are best mitred, welded and polished (C). Visible ends are best plated (E)
- All profiles shown are full size



We can provide structural calculations for most aluminium cored sections if details are provided at the estimating stage.



Handrail Profiles



Handrail Profiles

